

F8300 SERIES DOOR CLOSERS



Optional Slim Plastic cover



Standard Full plastic cover



CONFORMS TO STANDARDS
 UL IOC AND UBC 7-2 (1997)

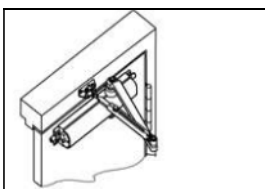


STANDARD FEATURES

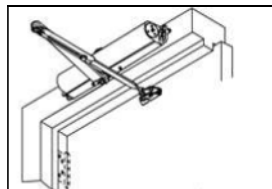
- UL and CUL listed, factory tested to meet or exceed ANSI A 156.4 grade 1
- Barrier Free operation to comply with Federal Accessibility Standards (ADA):complying with ANSI A 117.1
- Non-sized 1 through 6 ;adjustable backcheck
- Cast aluminum body and forged arm.
- Standard sweep and latching speed
- Stand full plastic cover
- Standard Tri-packed for regular arm, top jamb and parallel arm application
- Standard self tapping and drilling screws
- Standard Finish:Aluminum(AL); Duronodic (DU)
- Cross reference: Norton 8000 series
- 5 years limited warranty

OPTIONAL FEATURES

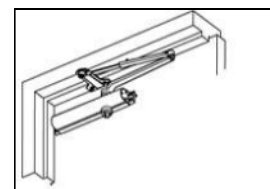
- Delayed action
- Drop Plate
- Hold open arm
- Slim Cover
- Sex Nuts



Regular arm-Pull Side



Top Jamb-Push Side



Parallel arm-Push Side

TECHNICAL DIMENSIONS.

Description	Dimensions	
A. Length of Closer Body	12-3/4 " (324 mm)	
B. Horizontal Mounting Holes	12 " (304.8 mm)	
C. Vertical Mounting Holes	3/4 " (19mm)	
D. Closer Body Height	1-3/4" (45mm)	
E. Projection from Door	2-3/16 " (56mm)	
		FRONT VIEW END VIEW

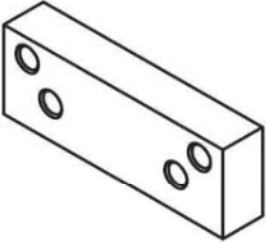

SELECTION CHART

Model	Size	Remarks				
F8300	1-6	Tri-packed;with backcheck				
F8300DA	1-6	Tri-packed;with backcheck and delayed action				
Regular &Top Jamb		Parallel Arm				
Closer Size	Interior	Maximum Size of Door			Exterior Outswinging	Applicable Door Weight Lbs (Kg)
		Exterior Inswing	Exterior outswinging	Closer Size		
1	28" (0.71m)			1		33-66 (15-30)
2	36" (0.91 m)			2	30"(0.76m)	66-99 (30-45)
3	42"(1.07 m)	30" (0.76m)	36"(0.91m)	3	36" (0.91m)	99-143(45-65)
4	48"(1.22 m)	36"(0.91m)	42" (1.07m)	4	42"(1.07m)	143-187(65-85)
5	54" (1.37 m)	42"(1.07m)	48" (1.22m)	5	48"(1.22m)	178-264(85-120)
6	60"(1.52 m)	48"(1.22m)	54" (1.37m)	6	54"(1.37m)	264-330(120-150)

OPTIONAL ACCESSORIES

Decription	Picture	How to order
Drop Plates for Regular Arm Mounting		Code: 83-DP Available Finish: AL /DU/BZ/GLD
Drop plates for Top Jamb Mounting		Code: 83-DP TJ Available Finish: AL /DU/BZ/GLD
Drop plates for Parallel Arm Mounting		Code: 83-DP PA Available Finish: AL /DU/BZ/GLD
Friction type-Hold open arm.		Code: 83-FHO Available Finish: AL /DU/BZ/GLD

<p>PA bracket for Friction Hold open Arm when Prallell mounting</p>		<p>Code: 83-FHO-PA Available Finish: AL /DU/BZ/GLD</p>
<p>Cush Stop Arm</p>		<p>Code: 83-CSA Available Finish: AL /DU/BZ/GLD</p>
<p>Cush Stop Hold Open Arm</p>		<p>Code: 83-CSHO Available Finish: AL /DU/BZ/GLD</p>
<p>Slim Plastic Cover and Pinion Cap</p>		<p>Code: 83-C-SP Available Finish: AL /DU/BZ/GLD</p>
<p>Full Plastic Cover</p>		<p>Code: 83-C-FP Available Finish: AL /DU/BZ/GLD</p>
<p>Metal Cover</p>		<p>Code:83-C-US3 (Polished Brass) Code:83-C-US26 (Polished Chrome)</p>
<p>Sex Nuts And Bolts</p>		<p>Code: 83-SNB Available Finish: AL /DU/BZ/GLD</p>

<p>Parallel Arm Bracket</p>		<p>Code:83-STA-PAB Available Finish: AL /DU/BZ/GLD</p>
<p>Blade Stop Spacer</p>		<p>Code: 89-BSS Available Finish: AL /DU/BZ/GLD</p>
<p>Standard Main Arm</p>		<p>Code: 83-SMA Available Finish: AL /DU/BZ/GLD</p>
<p>Screw pack</p>		<p>Code: 83-SP Available Finish: AL /DU/BZ/GLD</p>
<p>Extended Long rod and Shoe</p>		<p>Code: 83-ELRS Available Finish: AL /DU/BZ/GLD</p>