

# TECHNICAL DATA

FROM

# Anemostat

## Door Products

4958 Stout Dr. #119, San Antonio, TX 78219

Model  
**LoPro™**  
 FOR STEEL FIRE DOORS 3 HOURS  
 LO-PROFILE  
 METAL VISION FRAME



FIRE RATINGS



UNDERWRITERS' LABORATORIES

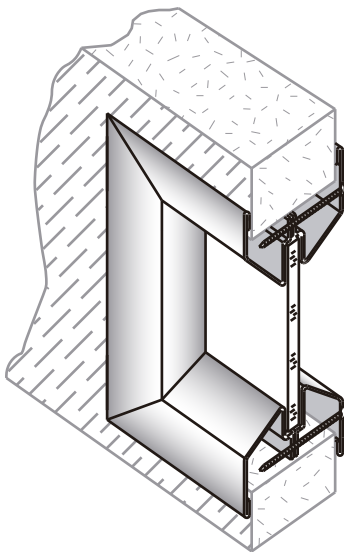
Intertek  
 WARNOCK HERSEY

**EN-1634**  
 European Standard

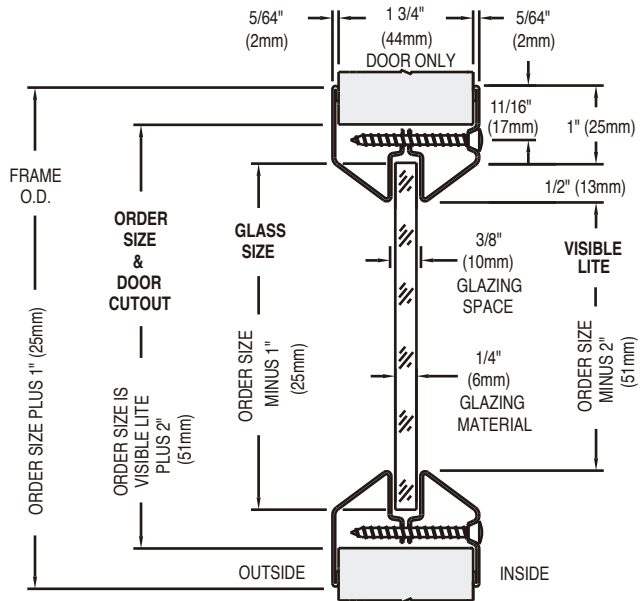
**B.S.-476.22**  
 British Standard

### DETAIL DRAWING

**PLEASE NOTE:** On visible lite sizes larger than 1296 sq. in. (0.836 m<sup>2</sup>) on 20/45 min. and 100 sq. in. (0.065 m<sup>2</sup>) on 60/90/180 min., please consult with your Door / Frame Manufacturer's procedures, for their maximum glass size tested.



Anemostat manufacturing dimensions ±1/32 (1mm)  
 Actual dimensions are nominal and may vary based on component manufacturers tolerances.



#### STANDARD PRODUCT FEATURES

- **MATERIAL:** 20 GA. (1mm) Cold Rolled Steel.
- **FINISH:** Grey Primer.
- **INSTALLATION:** Our most popular product is easy to install and provides a low profile, flush to the door look. Uses 1 3/4" (44mm) sheet metal screws that pass through the door cutout, and fastens to the opposite side of the vision frame, thus eliminating the need to drill the door for thru bolts and saving installation time and labor. It also leaves the corridor side of the frame free of fasteners for added security and a cleaner, more aesthetic appearance.
- **DOOR THICKNESS:** For 1 3/4" (44mm) Wood or Metal Doors.
- **GLAZING:** Should be 1/4" (6mm) , 3/16" (5mm) or 5/16" (8mm) fire and/or safety rated with U.L. and/or W.H.I. classification markings. Nominal glazing space of 3/8" (10mm) allows for glazing tape to be used on both sides of the glass.
- **AESTHETICS:** Tight mitered corners, beveled glass stop and low profile, provide a clean tapered look.
- **IMPORTANT:** Interpretation of building and fire codes may vary. Consult with the local authority having jurisdiction in your area, to determine appropriate standards.
- **NOTE:** For Exterior use, High Humidity or Salt Air application, product must be Galvanized or Stainless Steel.

#### FIRE RATINGS (w/ U.L. & W.H.I. classification markings)

##### Positive Pressure

- **3 Hour:**\* Approved listing at 100 sq.in. (0.065 m<sup>2</sup>) visible lite max. width 12" (305mm), max. height 33" (838mm)

\* Must be used with FIRELITE Plus or NT and Fire listed glazing tape or another manufacturer's equivalent product. Glazing combination must be used in appropriately tested door assembly.

**BS 476.22** Timber Doors - 30 min. and 1 hour.  
 British Standard Steel Doors - 2 hours (4 hours actual).

**EN-1634** 30/60 min. integrity and insulation - Indicative Testing  
 European Std.



**GVVX.R10258**  
**Fire Door Glass Light Frames**

**See General Information for Fire Door Glass Light Frames**

**ANEMOSTAT DOOR PRODUCTS INC**

R10258

4958 Stout Dr #119  
San Antonio, TX 78219 USA

Models BFL-75, -75G, -75R, -123, -123G, -123R, BR-7, FGS-75, -75R, -75G-IS, FGS-75-SC, FGS-75-LSC, FP-12, SG-10, SG-10SSD, SL-IS, SSD, "Custom shapes" intended for installation in Classified swing type (hollow-metal, composite and wood core) fire doors, rated 3/4 or 1-1/2 hr.

Model BFL-123 intended for installation in Classified swing type (hollow-metal and steel covered composite) fire doors rated 3 hr, when 3/16 "Firelite" glazing material rated 3 hr is provided.

Glass light frames, Models FGS-75RC, -75RD, -MS, FP-18, -24, intended for installation in Classified swings type (hollow-metal, composite, wood core) rated 3/4 hr or "Twenty Minute Type Doors Fire Tested Without Hose Stream".

Models **LoPro**, LoPro-DBL, LoPro-G, LoPro-IS, LoPro-SC, LoPro-EZ intended for installation in 3 hour steel covered type fire doors with Firelite Glazing and 60 minute wood composite doors with Pilkington Pyroshield 1/4 wire glass glazing. Also 1-1/2 hr, 3/4 hr steel or wood composite fire doors or doors rated twenty minute without stream, and twenty minute without hose stream rated fire doors.

All screw together and through bolted Models meet test requirements of UL10C.

Last Updated on 2017-02-22

---

© 2019 UL LLC

The appearance of a company's name or product in this database does not in itself assure that products so identified have been manufactured under UL's Follow-Up Service. Only those products bearing the UL Mark should be considered to be Certified and covered under UL's Follow-Up Service. Always look for the Mark on the product.

UL permits the reproduction of the material contained in the Online Certification Directory subject to the following conditions: 1. The Guide Information, Assemblies, Constructions, Designs, Systems, and/or Certifications (files) must be presented in their entirety and in a non-misleading manner, without any manipulation of the data (or drawings). 2. The statement "Reprinted from the Online Certifications Directory with permission from UL" must appear adjacent to the extracted material. In addition, the reprinted material must include a copyright notice in the following format: "© 2019 UL LLC".



KCMZ.R8157

Fire-protection-rated Glazing Materials

See General Information for Fire-protection-rated Glazing Materials

**CENTRAL GLASS CO LTD**

R8157

3-7-1 Kanda-Nishiki-Cho  
Chiyoda-Ku  
Tokyo, 101-0054 JAPAN

**Fire-protection-rated glazing materials**

**Product designation:** 1/4 in. thick wired glass

**Thickness:** 1/4 in.

**Glazing compound:** DAP 33 or Pemko FG3000

**Furnace pressure:** Positive

Rating	Application	Max Exposed Area of Glazing (sq in.)	Max Width of Exposed Glazing (in.)	Max Height of Exposed Glazing (in.)	Min Depth of Groove (in.)	Groove Width (in.)	Building Code Marking
3/4 h (45 min)	Door, Window, Door Frame	1296	54	54	3/4	1/2	D-H-NT-45, OH-45
1-1/2 h (90 min)	Door	100	12	33	1/2	1/2	D-H-NT-90

**Fire-protection-rated glazing materials**

**Product designation:** 1/4 in. thick wired glass

**Thickness:** 1/4 in.

**Glazing compound:** Pemko FG3000

**Furnace pressure:** Positive

Rating	Application	Max Exposed Area of Glazing (sq in.)	Max Width of Exposed Glazing (in.)	Max Height of Exposed Glazing (in.)	Min Depth of Groove (in.)	Groove Width (in.)	Building Code Marking
3/4 h (45 min)	Door (metal)	2856	34	84	5/8	1/2	D-H-NT-45
1 h (60 min)	Door (wood)	960	12	80	5/8	1/2	D-H-NT-60
1-1/2 h (90 min)	Door (metal)	552	12	46	5/8	1/2	D-H-NT-90
3/4 h (45 min)	Sidelight	4608	48	96	5/8	1/2	D-H-NT-45
3/4 h (45 min)	Transom	3456	96	36	5/8	1/2	D-H-NT-45

**Fire-protection-rated glazing materials****Product designation:** 1/4 in. thick wired glass**Thickness:** 1/4 in.**Glazing compound:** Pure silicone or Norton Tape "Norseal V980"**Furnace pressure:** Positive

Rating	Application	Max Exposed Area of Glazing (sq in.)	Max Width of Exposed Glazing (in.)	Max Height of Exposed Glazing (in.)	Min Depth of Groove (in.)	Groove Width (in.)	Building Code Marking
3/4 h (45 min)	Door, Window, Door Frame	1296	54	54	3/4	1/2	D-H-NT-45, OH-45
1-1/2 h (90 min)	Door	100	12	33	1/2	1/2	D-H-NT-90

Last Updated on 2009-03-19

© 2019 UL LLC

The appearance of a company's name or product in this database does not in itself assure that products so identified have been manufactured under UL's Follow-Up Service. Only those products bearing the UL Mark should be considered to be Certified and covered under UL's Follow-Up Service. Always look for the Mark on the product.

UL permits the reproduction of the material contained in the Online Certification Directory subject to the following conditions: 1. The Guide Information, Assemblies, Constructions, Designs, Systems, and/or Certifications (files) must be presented in their entirety and in a non-misleading manner, without any manipulation of the data (or drawings). 2. The statement "Reprinted from the Online Certifications Directory with permission from UL" must appear adjacent to the extracted material. In addition, the reprinted material must include a copyright notice in the following format: "© 2019 UL LLC".